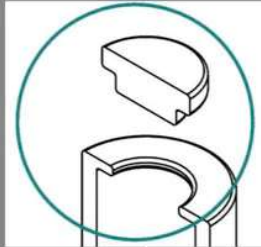


Feature details

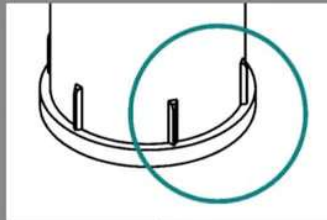
1. Easy fill

This mechanism works perfectly for 'easy fill' solutions and for upside down grinders. It is possible to think of creative ways to allow for the filling of spice with lots of versatility and freedom regarding the positioning and method for re-filling.



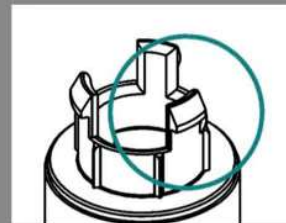
2. Ribs

These carefully designed ribs penetrate into the wood in order to prevent rotation of the mechanism without the use of screws.



3. Snap-hooks

This mechanism uses snap hooks to mount inside the body easily without the need to use screws.

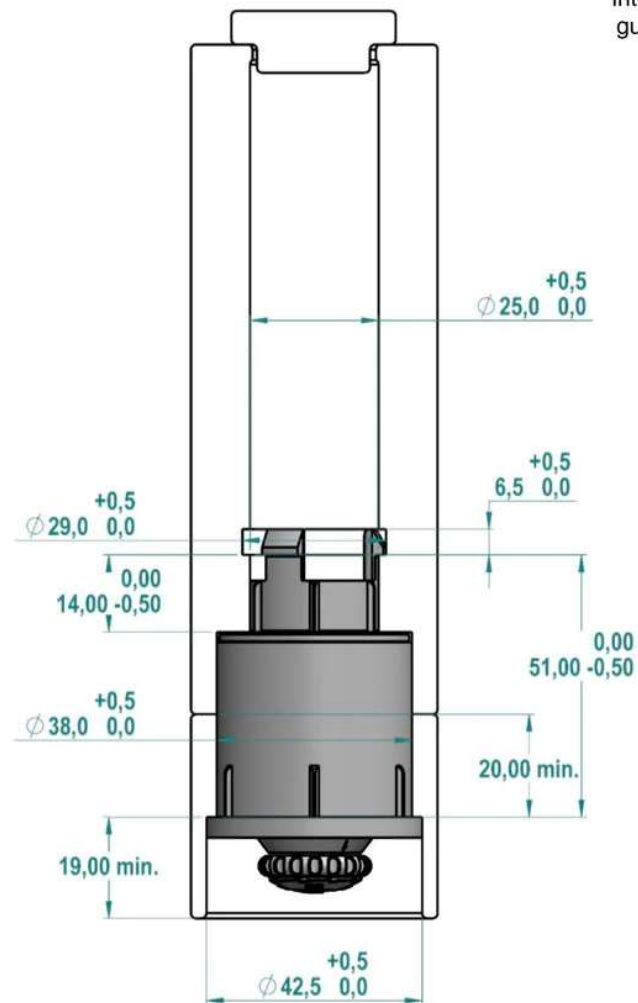


© Copyright by IDEAS Denmark A/S – August 2020 – All rights reserved
May not be reproduced or distributed without our written permission

WOOD
Integration
guidelines



QUADRO WOOD – HOW TO MOUNT



Stopper ●
Easy fill

Warranty ●
25 years

Patent ●
Yes

All measurements in mm. Tolerances shown are for mounting into wooden products. Minimum 6mm wall thickness around ribs recommended for wooden products.